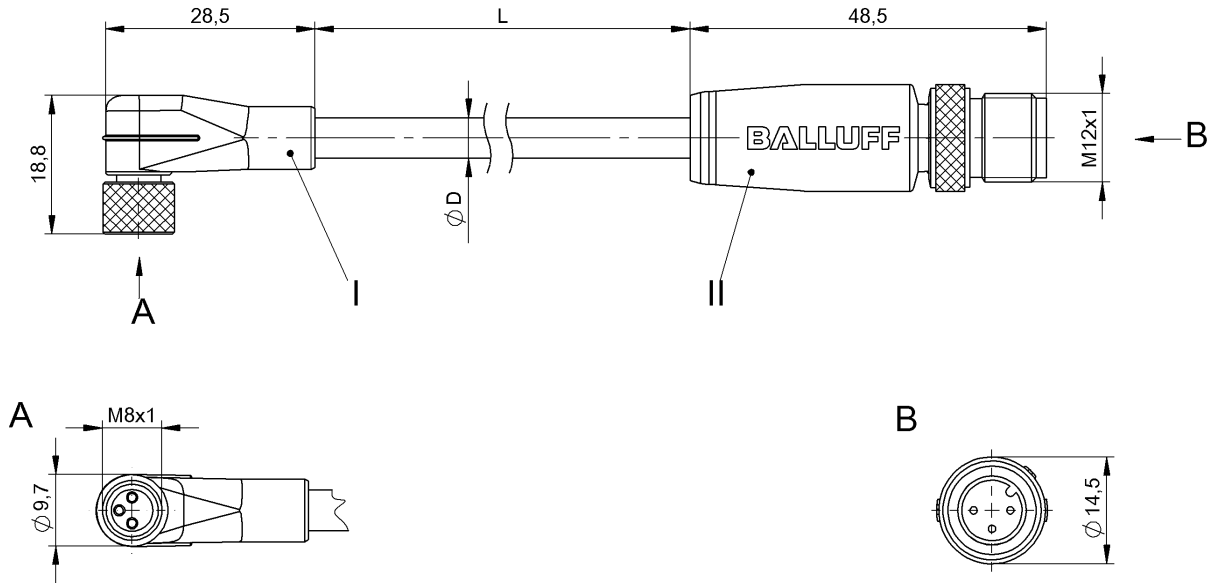


Double-Ended Cordsets
BCC W323-W413-3E-602-TW0334-010
Order Code: BCC0HYM

BALLUFF



Basic features

Application	Welding area
Approval/Conformity	CE cULus WEEE

Display/Operation

Function indicator (Pin 4)	LED yellow
Power indicator	LED green/no

Electrical connection

Bending radius min., fixed cable	7.5 x D
Bending radius min., flexible cable	15 x D
Cable	FEP welding spark resistant black, 1 m
Cable diameter D	3.75 mm \pm 0.25 mm
Conductor cross-section	0.34 mm ²
Connection 1	M8x1-Female, angled, 3-pin, A-coded
Connection 2	M12x1-Male, straight, 3-pin, A-coded
Number of conductors	3
System	Molded/Molded

Electrical data

Operating voltage U_b	30 VDC
Rated current (40 °C)	4.0 A

Environmental conditions

Cable temperature, fixed routing	-100...200 °C
Connector 01, temperature max.	100 °C
IP rating	IP65/IP65

Material

Cable jacket material, note	welding spark resistant
Cable jacket, material	FEP
Material contact carrier	PUR, special/PUR, special
Material contacts	Bronze/Brass
Material cover nut	Brass PTFE coated/Brass PTFE coated
Material grip	PUR, special/PUR, special

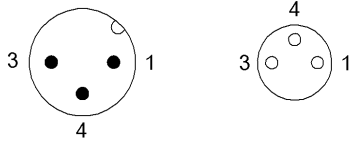
Mechanical data

Cable jacket, color	black
Cable length L	1.00 m
Tightening torque pigtail	0.4 Nm/0.6 Nm

Remarks

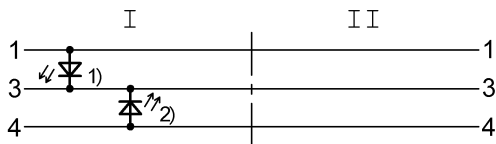
Cable construction acc. to UL-AWM Style 2749
 Maximum temperature at outer jacket from weld spatter/beads short-time 800°C.
 Flame-retarding
 Enclosure rating per IEC 60529, only in screwed state with the associated mating piece.

Connector Drawings



II	I
PIN 1: brown	PIN 1: brown
PIN 3: blue	PIN 3: blue
PIN 4: black	PIN 4: black

Wiring Diagrams



- 1) Green LED = Power
- 2) Yellow LED = Function